

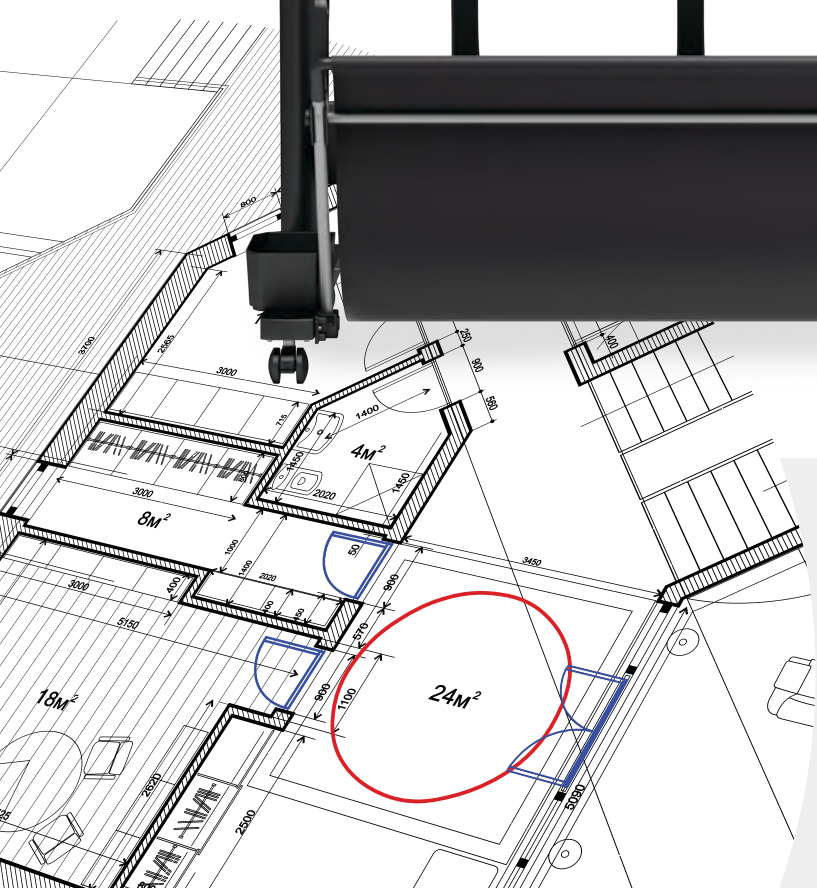
**Canon**

# Redefining the Large-Format Printer.

Up to 144 D  
Prints/Hour

LUCIA TD  
Pigment Ink

Scan-to-Copy/File/  
Share Solution Available



**imagePROGRAF  
TM-300 MFP Z36**

**Print Head**

PF-06

**Number of Nozzles**

**Matte Black:** 5,120 Nozzles  
**Other Colors:** 2,560 Nozzles per Color

**Droplet Size**

5 Picoliter

**Ink Type**

**Pigment:** Matte Black (MBK), Cyan (C), Magenta (M), Yellow (Y), Black (BK)

**Ink Tank**

**Shipped with Printer:** MBK (130 ml), BK, C, M, Y (90 ml)  
**Replacement:** PFI-120 (130 ml) or PFI-320 (300 ml)

**Printer RAM**

2 GB

**Media Feed**

**Roll Feed:** One Roll, Top-loading, Front Output

**Media Width**

**Roll Feed:** 8"-36" (203 mm – 914 mm)  
**Cut Sheet:** 8"-36" (203 mm – 914 mm)

**Media Cutter**

Durable Dual-Blade Rotary Cutter

**Media Thickness**

0.07 – 0.8 mm

**Media Core Sizes**

2" and 3" Core (Adapter Included)

**Maximum Roll Outer Diameter**

5.9" (150 mm)

**Media Output**

Basket (Standard)

**Printing Software Utilities**

Accounting Manager, Canon Print Service, Device Management Console, Direct Print Plus, Free Layout Plus, imagePROGRAF Printer Driver for Windows®/Mac®, Media Configuration Tool, PosterArtist Lite for Windows, Canon PRINT Inkjet Selphy, Easy-Photo PrintEditor, Optimized Driver for AutoCAD®

**Operating System**

Windows 7 (32/64-bit), Windows 8.1 (32/64-bit), Windows 10 (32/64-bit), Windows Server 2008 R2, (32/64-bit), Windows Server 2012 (64-bit), Windows Server 2012 R2 (64-bit), Windows Server 2016 (64-bit), Macintosh OS X v10.10.5-v10.12x

**Print Language**

**Printer:** SGRaster, HP-GL/2, HP RTL, JPEG

**Interface**

**Standard (Built-in):** USB 2.0 Hi-Speed, 10/100/1000Base-T/TX, Wireless LAN (IEEE 802.11 b/g/n)■

**Power Supply**

AC 100–240V (50 - 60 Hz)

**Power Consumption**

**Maximum:** 69 W or Less  
**Standby:** 3.6 W or Less  
**Power Off:** 0.3 W or Less (Executive Order Compliant)

**Certifications**

**Environmental Certifications**  
ENERGY STAR® (Worldwide)

**Operational Environment**

**Temperature:** 59° – 86° F (15° – 30° C)  
**Relative Humidity:** 10 – 80% (Non Condensation)

**Printer Dimensions (H x W x D) and Weight (With Basket Opened)**

42" x 51" x 34" Approx. 130 lb.

**Package Dimensions (H x W x D) and Weight (With Stand, Basket, and Pallet)**

38" x 58" x 36" Approx. 229 lb.

**Options**

- 2"/3" Roll Holder Set (RH2-35)
- PosterArtist

**User-Replaceable Items**

- Ink Tank (PFI-120/PFI-320)
- Print Head (PF-06)
- Maintenance Cartridge (MC-31)
- Cutter Blade (CT-08)

**What's In The Box**

Printer, Basket, Stand, 2"/3" Core Media Spool (Adapters Included), Power Cord, Tools and Screws, Print Head, Maintenance Cartridge (Installed), 5 Ink Tanks (130 ml: MBK, 90 ml: BK/C/M/Y), Sample Heavyweight Coated Paper (A2/2 Sheets), Ethernet Card (built-in), USB 2.0 High-speed Interface, USB Connection Sheet, iWR Service Terms Leaflet, User Manual, Quick Setup Guide, User Software CD for Windows (Printer Driver Utilities), PosterArtist Lite CD, User Registration Card

**Z36 SCANNER**

**Scan Speed**■

- 24-bit Color @ 200 dpi: 3" (Per Second)
- 8-bit Grayscale and Monochrome @ 200 dpi: 13" (Per Second)

**Scan Modes**

- 16.7 Million Color RGB (24-bit)
- 256-level Grayscale (8-bit)
- Black and White (1-bit)

**Color Space**

sRGB

**Maximum Resolution**

1200 dpi (Optical)

**Scan Accuracy**▲

+/- 0.1% : +/- 1 pixel

**Maximum Scan Width**

36"

**Maximum Media Width**

38"

**Maximum Scan Length**

164" (PDF); 315" (JPEG); 598" (TIFF)

**Maximum Media Thickness**

0.003" – 0.04" (0.07 mm – 1.0 mm)

**Digital Imaging Technology**

Contact Image Sensor (CIS) Technology (SingleSensor Assembly)

- 24-bit RGB digital color image capture
- 16-bit grayscale image capture
- Panchromatic monochrome and black and white
- Bi-directional extra long-life LED light system for optimum object illumination and instant-on scanning capability

**Included Software**

SmartWorks MFP Scan-to-Copy/File/Email with Real-time Image Viewer; supports TIFF, JPEG, TIFF G4, and PDF

**Operating System**

Windows 10 LTSC

**Scanner Interface Kit**

Superspeed USB 3.0 (PC Connector Compatible with USB 2.0 and USB 3.0 sockets)

**Operating Environment**

10° C - 35° C, 35 - 80% RH, Non-condensing

**External Power Supply**

100 - 240 VAC Autosensing +/- 10%, 50 - 60 Hz

**Scanner Power Consumption**

**Sleep/Idle:** 0.2 W/12.4 W

**Scanning Color/Grayscale @ 200 dpi:** 22.7 W/23.3 W

**Compliance**

ENERGY STAR®, CB (62368-1), CE, FCC (EMC), Cu/UL, CCC, NOM-019, EAC, C-TICK, VCCI, BIS, EMC +LOA, UL AR, WEEE, REACH, RoHS, EU—Tier 3 of Lot 6

**Scanner Dimensions (H x W x D)**

7" x 42" x 10"

**Scanner Weight**

17.3 lb. (Approx.)

**What's In The Box?**

- Z36 Scanner with Power Cord, USB 3.0 Cable (2 meter)
- 15.6" System Controller
- 3:1 Trident Power Cord
- Power Supply
- Mount for Printer and System Controller
- 2 Paper Edge Guides
- Document Return Guides
- Calibration Target
- Assembly and Startup Guide

- Wireless printing requires a working network with wireless 802.11b/g or 802.11n capability. Wireless performance may vary based on terrain and distance between the printer and wireless network clients.
- The scan rate is proportional across the full range of resolutions supported by the scanner. Actual scan times will depend on the host system performance. Quoted top speeds may be limited by the effective bandwidth of the USB 2 and is not guaranteed for all media types.
- ▲ The quoted scan accuracy may vary depending on the operating environment and the thickness of the media.

Note: The imagePROGRAF TM Series MFP Z36 systems contain multiple components, some of which are manufactured by third parties. To the extent that such third-party offerings come with limited warranties, such limited warranties are hereby passed to the purchaser, and Canon shall have no obligation or any liability with respect to such third-party offerings.

As an ENERGY STAR® Partner, Canon U.S.A., Inc. has qualified this model as meeting the ENERGY STAR energy efficiency criteria through an EPA recognized certification body. ENERGY STAR and the ENERGY STAR mark are registered trademarks owned by the U.S. Environmental Protection Agency. Canon and imagePROGRAF are registered trademarks of Canon Inc. in the United States and may also be registered trademarks or trademarks in other countries. All other referenced product names and marks are trademarks of their respective owners. All printer output and screen images are simulated. Specifications and availability subject to change without notice. Not responsible for typographical errors.  
©2022 Canon U.S.A., Inc. All rights reserved.  
0222R1-TM300MFPZ36SS-PDF-IH

