



REALiS
LCOS PROJECTORS

USA.CANON.COM/PROJECTORS

CANON PORTRAIT PROJECTION SOLUTION

Canon's Portrait Projection Solution allows users to display the outstanding image quality of REALiS LCOS Projectors, in a large portrait orientation.

This is made possible by simply attaching Canon's new custom Portrait Projection Mirror Adapter to a select REALiS projector (list below) – and the results will amaze! For added installation flexibility, the mirror adapter also allows for adjustments to Pitch, Roll and Yaw (see back for specifications and dimensions).

The versatility of the Canon Portrait Projection Solution makes it ideal for many markets/applications, including:

- **Simulation & Training**
- **Digital Signage & Advertising**
- **Museums & Galleries**
- **Education**

Portrait Projection Mirror Adapter compatible with:



REALiS WUX500



REALiS WUX450



REALiS WX520

REALIS PROJECTOR ADVANTAGES

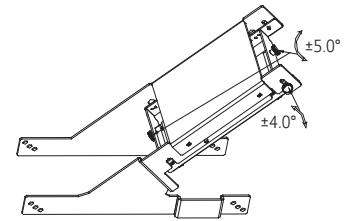
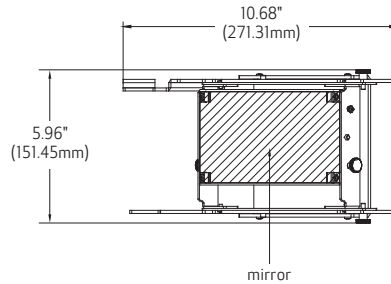
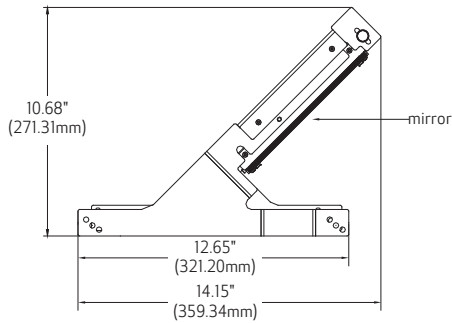
- LCOS Technology Delivers Crisp, Seamless Images
- Advanced Color Management Systems Produce Highly Accurate Colors
- Genuine Canon Optics Ensure Consistently High Brightness and Large Depth of Field
- Edge Blending for Multi-Projection Applications
- Versatile Lens Shift
- Flexible Connectivity



PORTRAIT PROJECTION MIRROR ADAPTER SPECIFICATIONS

Item Code: 2829V783

| | |
|--------------------|--|
| Weight | 6.85 lbs. |
| Adjustments | Pitch $\pm 4^\circ$, Roll $\pm 8^\circ$ |
| Dimensions | |



REALiS WUX500 SPECIFICATIONS

| PROJECTION SYSTEM | |
|---------------------------------|--|
| Imaging Device | 0.71" LCOS Reflective LCD panel x3 |
| Aspect Ratio | 16:10 |
| Native Resolution | 1920 x 1200 (WUXGA) |
| Brightness^{2,3} | 5000 Lumens (Normal) / 3800 Lumens (Power Saver) |
| Contrast | 2000:1 |
| Image Size | 40 - 300" |
| Digital Keystone | V $\pm 20^\circ$, H $\pm 20^\circ$ |
| F Number, Focal Length | F2.8, 21.7 - 39.0mm |
| Uniformity | 90% |
| Zoom Ratio | 1.8x (Manual) |
| Throw Ratio¹ | 1.39 - 2.51:1 |
| Digital Zoom | 12x Maximum |
| Focus | Manual |
| Lens Shift | V: 0% - 60%, H: $\pm 10\%$ (Manual) |
| IMAGE ADJUSTMENTS | |
| Image Mode | Standard / Presentation / Dynamic / Photo / sRGB / Video / DICOM SIM / Users 1 - 5 (only available WUX500 D) |
| Color Adjustment | Color Level, Color Balance, Color Temperature, Gain (R,G,B), Offset (R,G,B) |
| Wall Color Correction | Normal / Greenboard / Adjust (custom) |
| Mounting | Ceiling, Upward, Downward, Table |
| Tilt Angle | 2 Bottom Front Feet: Maximum Elevation 6° |
| Keystone | Four corner independent Keystone |
| INPUT SIGNALS | |
| Scanning Frequency | H: 15.625kHz - 75kHz, V: 24Hz - 60.317Hz |
| Analog PC Input | WUXGA / UXGA / WSXGA+ / SXGA+ / WXGA+ / FWXGA / WXGA / SXGA / XGA / SVGA / VGA |
| Digital PC Input | WUXGA / UXGA / WSXGA+ / SXGA+ / WXGA+ / FWXGA / WXGA / SXGA / XGA / SVGA / VGA |
| Digital Video Input | 1080p (24, 50, 60 FPS) / 1080i (50, 60 FPS) / 720p / 576p / 480p |
| Component Video Input | 1080p / 1080i / 720p / 576p / 576i / 480p / 480i |
| HDBaseT™⁵ | Equivalent to the Input Signal of Digital PC Input and Digital Video Input. |
| USB Port | JPEG Still Image |
| Network Communication | NMPJ (Network Multi Projection), Screen Transfer (Canon Original Protocol) |
| Dot Clock | 154.00MHz |

| TERMINALS | |
|--------------------------------------|---|
| DVI-I | Digital PC/Analog PC Input |
| HDMI | Digital PC/Digital Video Input |
| RJ-45 (HDBaseT™)⁵ | HDBaseT™ Input (Image, Audio and Control Signal) |
| Mini Dsub15 | Analog PC/Component Video Input |
| Mini Jack x3 | Audio Input x2, Audio Output x1 |
| Mini Jack x1 | Wired Remote Control Connection |
| Dsub9 | RS-232C Connection |
| USB Type A | USB Connection |
| RJ-45 | Network Connection (1000BASE-T / 100BASE-TX / 10BASE-T) |
| Wi-Fi* | 802.11b/g/n |
| REMOTE CONTROL | |
| Remotes | Wireless Infrared (supplied) or Wired (optional) |
| WIRED CONTROL CONNECTIONS | |
| Systems | AMX (Device Discovery), Crestron (RoomView) and PJLink |
| BUILT-IN SOUND | |
| Internal Speaker | 5W, Monaural |
| LAMP | |
| Type | 250-NSHA |
| Life | 3000 Hours (Full Power) / 5000 Hours (Power Saver) |
| Power² | 260/200 W |
| RATINGS | |
| Fan Noise² | 37dB (Full Power) / 30dB (Power Saver) |
| Power Consumption² | 365/295 W |
| Standby Power⁴ | 1.5/1.1/0.6/0.2 W |
| Power Voltage | AC 100 - 240V, 50/60 Hz |
| Operating Temperature | 32°F - 104°F (0°C - 40°C, 20%RH - 85%RH) |
| Storage Temperature | -4°F - 140°F (-20°C - 60°C) |
| Dimensions (W x H x D) | 13.2" x 5.3" x 14.5" / 337mm x 136mm x 370mm (including protrusion) |
| Weight | 13 lbs. (5.9kg) |
| Projector Warranty | 3 Years (parts and labor) |
| Lamp Warranty | 120 Days |

 For specifications on the other compatible projectors (REALiS WUX450 and REALiS WX520) please visit usa.canon.com/projectors

¹ Calculated value for 100" image ² Lamp mode is Full Power/Power Saver ³ Brightness in Power Saver mode is only a calculated value, and is not guaranteed as specification ⁴ Low-power networking and HDBaseT(TM) "on" / Networking "off", HDBaseT(TM) "on" / Low-power networking "on", HDBaseT(TM) "off" / Networking and HDBaseT(TM) "off" ⁵ Only supports Video, Audio and Serial Control (RS-232C). Support may vary from different manufacturers' TX (transmitter) combinations.

©2015 Canon U.S.A., Inc. All rights reserved. Not responsible for typographical errors. Specifications subject to change without notice. Products not shown to scale. Certain images and effects are simulated. Canon and REALiS are registered trademarks of Canon Inc. in the United States and may also be trademarks or registered trademarks in other countries. DICOM is the registered trademark of the National Electrical Manufacturers Association for its standards publications relating to digital communications of medical information. HDBaseT(TM) is a trademark of the HDBaseT Alliance. Wi-Fi and is a registered trademark of the Wi-Fi Alliance. All other products and brand names may be registered trademarks, trademarks or service marks of their respective owners in the United States and/or other countries.