

Canon

imageFORMULA DR-7090C

Easy Start Guide

Thank you for purchasing the Canon imageFORMULA DR-7090C. The documentation for the scanner consists of the *Easy Start Guide* (this manual) and the *Reference Guide* (supplied with the scanner), the *User Manual*, and the *CapturePerfect 3.0 Operation Guide*, which are provided in electronic form and registered in the menu during software installation. Please read this and the following manuals thoroughly before using the scanner to become acquainted with its capabilities and make the most of its many functions. After reading the manuals, store them in a safe place for future reference.

- Easy Start Guide (This Manual)**
This manual describes the procedures for setting up the scanner for use. Please follow the procedures in the *Easy Start Guide* to set up the scanner.
- Reference Guide**
This manual consists of the basic scanner operating instructions extracted from the *User Manual*. For more details, refer to the *User Manual*.
- User Manual (Electronic Manual)**
This manual consists of two sections: Hardware and Software. The Hardware section provides general information about the scanner operational settings, maintenance, and troubleshooting. The Software section describes how to use the ISIS/TWAIN driver with the scanner, and how to set up job registration tools.
- CapturePerfect 3.0 Operation Guide (Electronic Manual)**
This is the operation guide for CapturePerfect 3.0, the Canon document scanner application program.

IMPORTANT

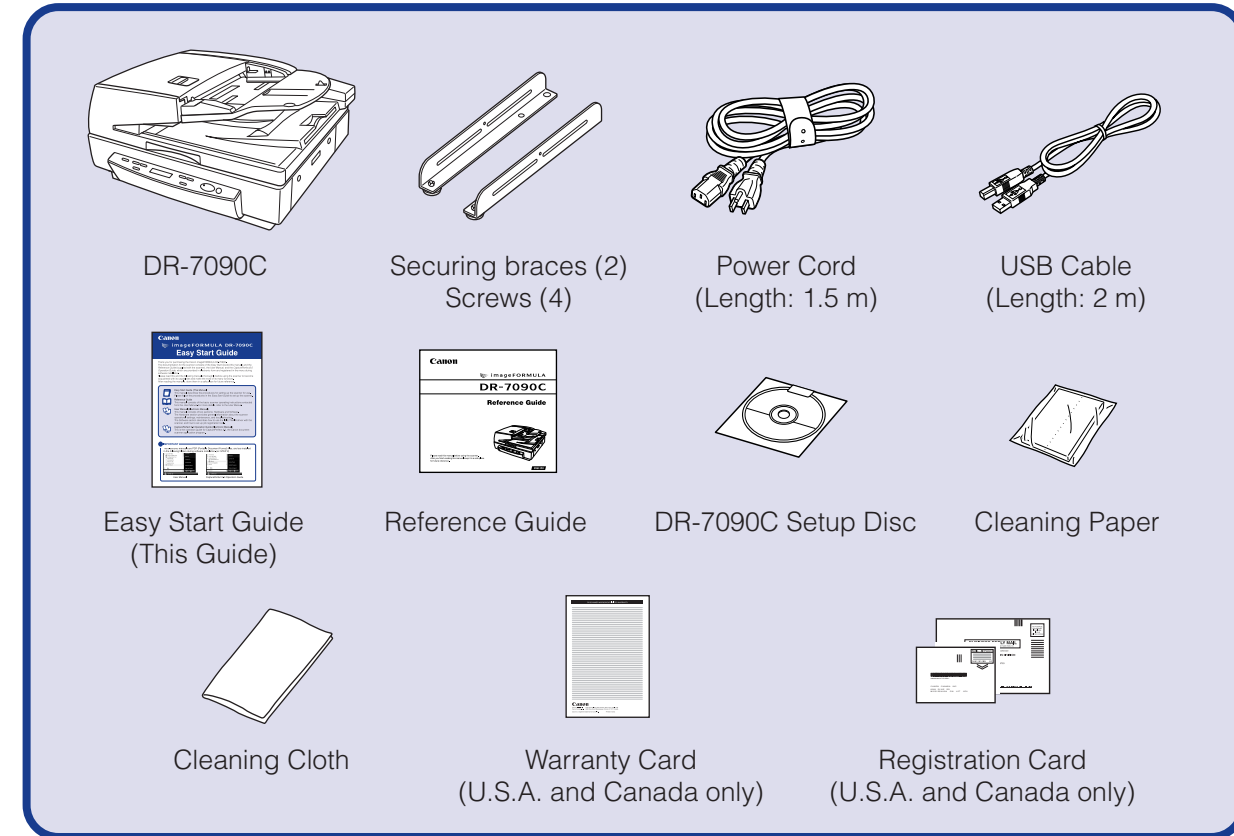
The electronic manuals are PDF (Portable Document Format) files, and are installed in the following folders during software installation. (☞ STEP 2)

User Manual

CapturePerfect 3.0 Operation Guide

STEP 1 Checking the Package Contents

When you unpack your scanner, make sure all of the following accessories are included. If any of the items listed below are missing or damaged, contact your local authorized Canon dealer or service representative.



- IMPORTANT**
- The cleaning paper is attached to and used with the cleaning tool stored inside the scanner. For details on use, refer to the *User Manual*.
 - Use the cleaning cloth to clean the scanning glass and rollers inside the scanner.
 - Items included in this package are subject to change without notice.
 - Keep the package and packing materials for storing or transporting the scanner.

■ Trademarks
 • Canon and the Canon logo are registered trademarks of Canon Inc. in the United States and may also be trademarks or registered trademarks in other countries.
 • imageFORMULA® is a registered trademark of Canon Electronics Inc.
 • Microsoft Windows® is a registered trademark of Microsoft USA in the United States and other countries.
 • Other brands and product names used in this manual may be trademarks or registered trademarks of their respective companies.

CAUTION

- Notice to Cardiac Pacemaker Users**
This product emits low level magnetic flux. If you use a cardiac pacemaker and feel abnormalities, please be away from this product and consult your doctor.
- Removing the Transportation Screw**
Three transportation screws are preinstalled at the factory to secure the scanner's optical unit and protect it from damage caused by vibration and shock during shipment. Make sure to remove these screws before using the scanner. Turning the scanner ON without removing the transportation screw may damage the scanner.

Transportation screw

- Installing the Securing Braces**
The securing brace prevents the scanner from tipping backward when the feeder is open. Make sure to install the securing plates before using the scanner.

Securing braces

- The scanner weighs about 90.4 lb (41 kg). To lift or move the scanner, always use two people, one on each side. Never attempt to lift the scanner by yourself. You could drop the scanner or pinch your fingers, resulting in personal injury or damage to the scanner. Remember to be extra careful when moving it.

- When moving the scanner, make sure to secure the optical unit by installing the three transportation screws. For details, refer to "Installing the Transportation Screws" on page 5 of the *Reference Guide*.

After checking the package contents, you need to install the software. (☞ STEP 2)

STEP 2 Installing the Software

Install the software before connecting the scanner to the computer.

CAUTION

- Before installing the software, make sure your computer is correctly running one of the following versions of Windows. For details on system requirements, refer to "Installation Requirements" on p. 2-3 of the *User Manual*.
 - Windows 2000 Professional SP4 or later
 - Windows XP Home Edition SP3 or later
 - Windows XP Professional SP3 or later
 - Windows XP Professional x64 Edition SP2 or later
 - Windows Vista Home Basic/Home Premium/Business/Ultimate/Enterprise (32- and 64-bit versions) SP1 or later
- Do not connect the scanner to the computer before installing the software. If you connect the scanner and turn it ON before you install the software, a wizard screen will appear. If this wizard appears, click [Cancel] to exit the wizard, and then turn the scanner OFF.
 - Windows 2000

Click

Windows XP

Click

Windows Vista

Click

Close all other applications before installing the software.

- Log on to Windows with Administrator privileges.
- Insert the DR-7090C Setup Disc into the computer's CD-ROM drive. The setup menu automatically starts up when you insert the CD-ROM into the CD-ROM drive. If the setup menu does not start up, run the setup.exe application on the CD-ROM.

When Installing in Windows Vista

When using Windows Vista, the "User Account Control" dialog box may appear. In this case, enter your login user password for Administrator privileges, and click [OK].
- The setup menu starts up. The setup menu consists of the following screens:

Menu Screen

Typical Installation

* Installs all of the software displayed.

Read Manuals

Custom Installation

* Installs only the selected software.
- Click [Typical Installation]. [Typical Installation] installs the software (scanner driver, CapturePerfect 3.0) and the User Manual. The CapturePerfect 3.0 Operation Guide is installed on the computer during the CapturePerfect 3.0 installation.

Click
- Click [Install]. The scanner driver installation wizard appears. This operation installs both the scanner driver and the Job Tool.

Click
- Click [Next].

Click

- Read the software license agreement, and click [Yes] if you consent to its conditions. Installation of the scanner driver starts.

Click
- Click [Finish] to complete the installation. Next, the installation wizard for the User Manual appears.

Click
- Click [Next].

Click
- Read the software license agreement, and click [Yes] if you consent to its conditions.

Click
- Confirm the installation destination, and click [Next]. Installation of CapturePerfect 3.0 starts.

Click
- Click [Finish] to complete the installation of CapturePerfect 3.0. Next, the installation wizard for the User Manual appears.

Click
- Click [Next]. Installation of the User Manual starts.

Click
- Click [Finish] to complete the installation of the User Manual.

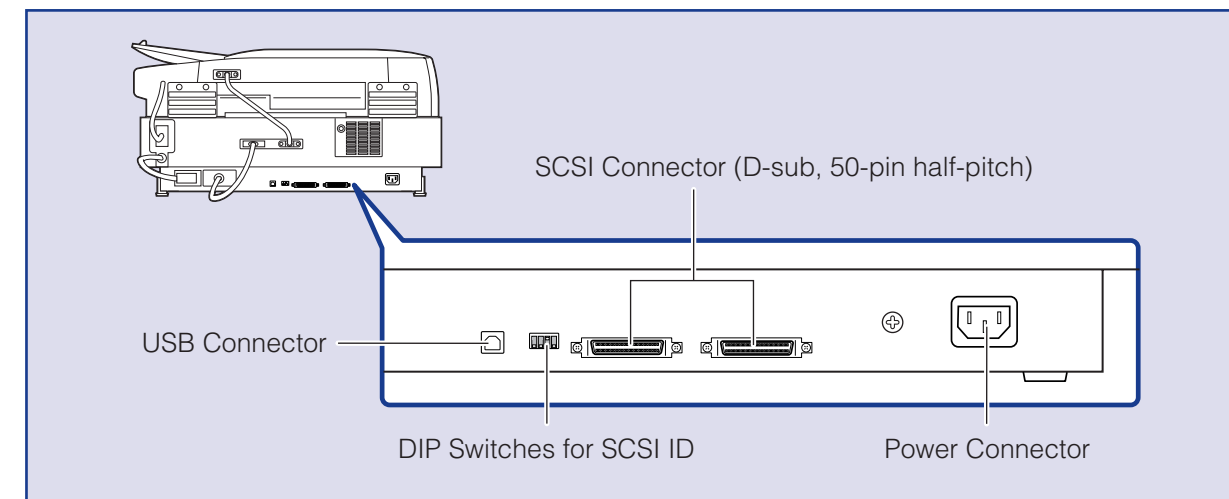
Click
- When all installations are complete, the installation completed screen appears. Click [Exit] to exit the installer. Click [Back] to return to the menu screen.

Click

This completes the software installation. Next, you need to connect the scanner to your computer. (☞ STEP 3)

STEP 3 Connecting the Scanner to the Computer

There are two methods for connecting the DR-7090C scanner to a computer: a USB connection to a standard USB port built in to the computer, or SCSI connection to a SCSI card installed in an expansion slot of the computer. Select the method that is best suited to your computer environment.

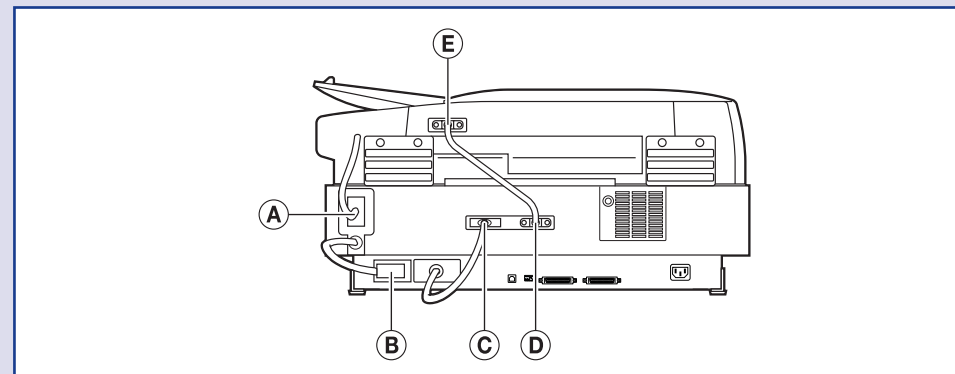


CAUTION

- ❑ Do not connect both USB and SCSI cables to the scanner at the same time.
- ❑ Use only the supplied power cord.
- ❑ The scanner and computer should both be turned OFF when making connections.
- ❑ Make sure that the computer is turned OFF before connecting the SCSI cable. The scanner may not be properly recognized by the computer if it is connected while the computer is turned ON.
- ❑ A SCSI cable is not supplied with the scanner. Obtain a cable with connectors that match the SCSI connectors on both the scanner and the computer.

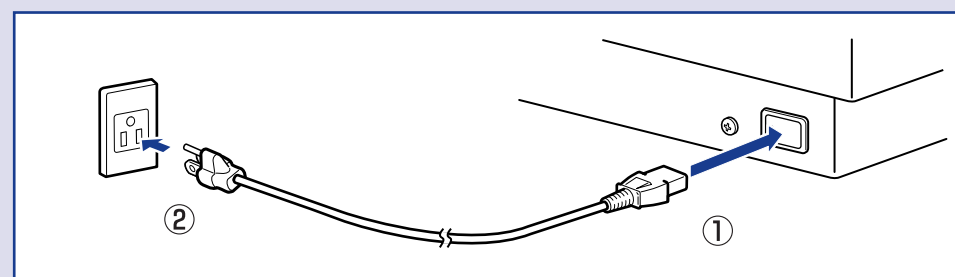
Checking the Rear Cables

Before connecting to the computer, make sure that cable connectors (A) to (E) are properly connected at the rear of the scanner.



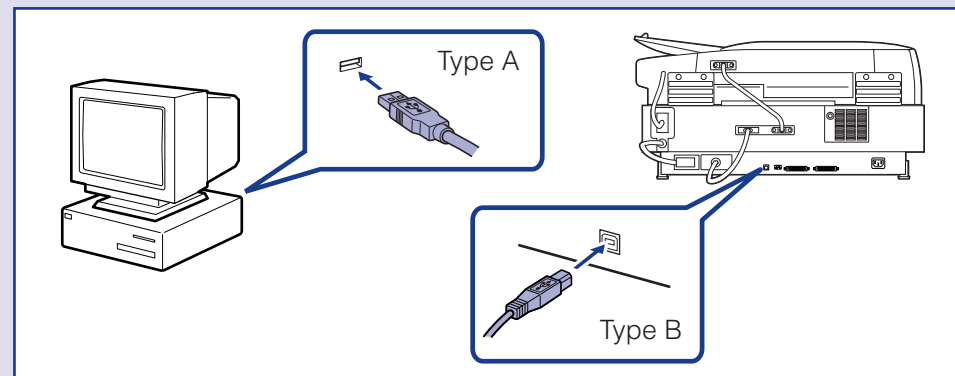
Connecting the Power Cord

1. Connect the supplied power cord into the power connector on the back of the scanner. (1)
2. Connect the power cord into an AC outlet. (2)



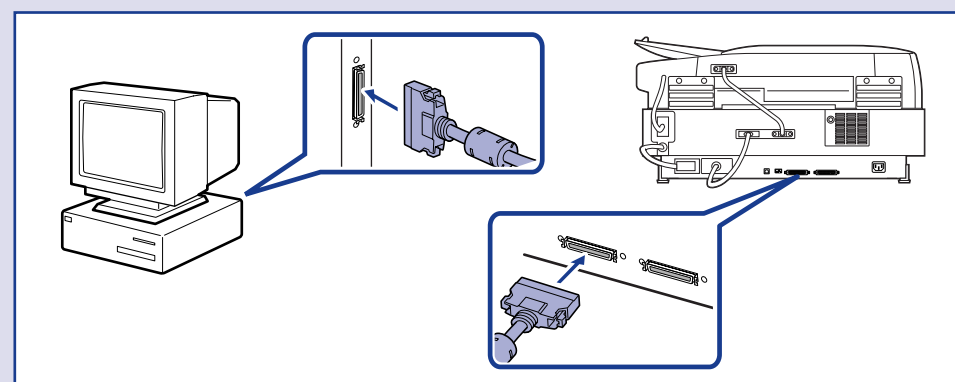
When Connecting by USB

3. Use the supplied USB cable to connect the scanner to the computer. Connect the square plug (Type B) of the USB cable to the scanner.



When Connecting by SCSI

4. Use the SCSI cable to connect the scanner to the computer. A SCSI cable is not supplied. Acquire a SCSI cable beforehand that matches the shape of the connectors on your SCSI card and the scanner.



CAUTION

- ❑ Observe the following when connecting the scanner with other devices in a "daisy chain".
- The SCSI ID of the scanner is set to "SCSI ID = 2" by default. When using a daisy-chain configuration with other SCSI devices, set the DIP switches so that SCSI ID numbers are not duplicated in the system.

DIP switches (SW1 to SW3 = SCSI ID, SW4 = Terminator)

SCSI ID	SW1	SW2	SW3
0	OFF	OFF	OFF
1	ON	OFF	OFF
2	OFF	ON	OFF
3	ON	ON	OFF
4	OFF	OFF	ON
5	ON	OFF	ON
6	OFF	ON	ON
7	ON	ON	ON

- When connecting the scanner and other SCSI devices in a daisy chain, make sure to set the terminator of the last connected SCSI device to ON, and set the terminator of all other SCSI devices to OFF.

The scanner is now connected to your computer. Next, you need to turn on the scanner and ensure Windows recognizes it. (STEP 4)

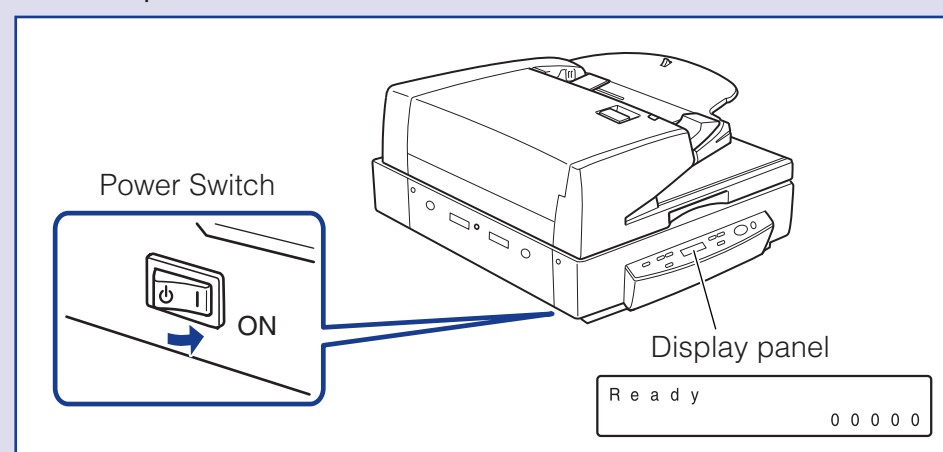
STEP 4 Turning the Power ON (Scanner Recognition)

When you turn ON the computer and the scanner, the Windows Plug and Play function recognizes the scanner and automatically installs the required device driver.

CAUTION

- ❑ When connecting the scanner to the computer using a SCSI cable, be sure to turn ON the scanner first, and then turn ON the computer. If you turn ON the computer first, the scanner may not be properly recognized by the computer.
- ❑ Be sure to log on to Windows using an account with Administrator privileges.
- ❑ After turning the scanner OFF, wait at least 10 seconds before turning it ON again.
- ❑ If you will not be using the scanner for an extended period, disconnect the power cord from the AC outlet for safety.

1. Make sure that the scanner and computer are connected properly.
2. Press the power switch to turn the scanner ON.



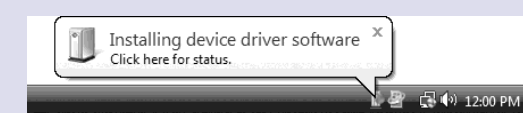
3. Turn ON the computer.
4. Windows automatically recognizes the scanner and performs the device driver installation.



Windows XP

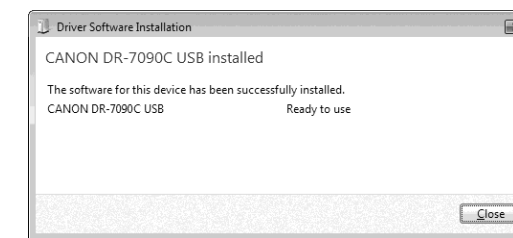


Windows Vista

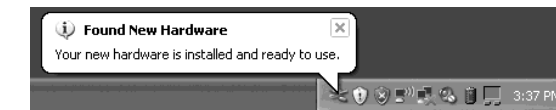


IMPORTANT

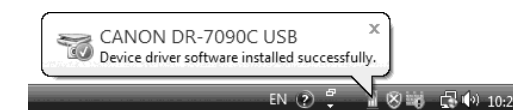
- With Windows Vista, installation proceeds automatically regardless of the displayed "Check here for status" balloon help. You can click "Check here for status" to display the installation progress.



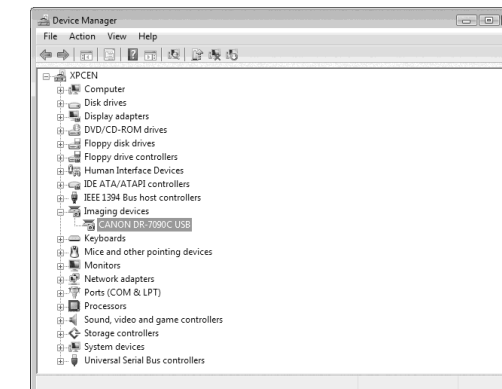
- With Windows XP and Vista, a message appears when installation is finished. Windows XP



Windows Vista



- The DR-7090C device driver is installed in Device Manager under [Imaging Devices] as [CANON DR-7090C USB] or [CANON DR-7090C SCSI].



- From the Control Panel, you can display the Device Manager using the following procedure:
 With Windows 2000, open [System] and click [Device Manager] on the Hardware tab sheet.
 – With Windows XP, first switch the Control Panel to the Classic View to display [System]. Then open [System] and click [Device Manager] on the Hardware tab sheet.
 – With Windows Vista, open [System Maintenance] and click [Device Manager]. Or, switch the Control Panel to the Classic View and click the [Device Manager] icon.

The computer should now recognize the scanner properly. Next, you need to select the scanner from your application program. (STEP 5)

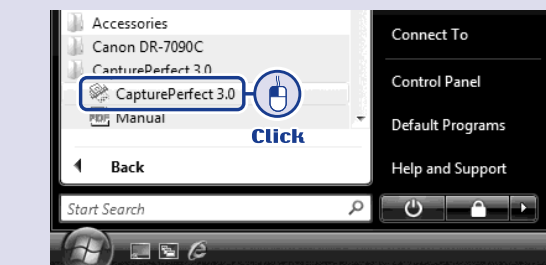
STEP 5 Selecting the Scanner

To use the scanner with an ISIS/TWAIN-compliant application program, the scanner must first be selected.

The menus and procedures used for selecting scanners vary depending on the application used. For detailed information on selecting scanners, refer to the user's manual for your application.

This section describes how to select the scanner when using CapturePerfect 3.0. For details on how to use CapturePerfect 3.0, refer to *CapturePerfect 3.0 Operation Guide* located in the Windows program menu.

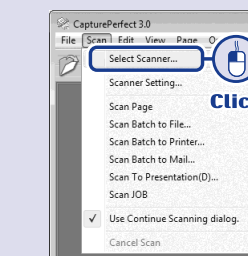
1. Launch CapturePerfect 3.0 from the Windows program menu.



CapturePerfect3.0

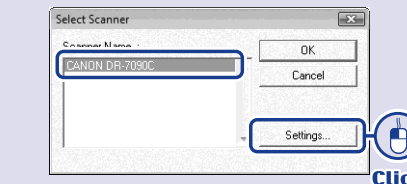


2. From the [Scan] menu, select [Select Scanner].



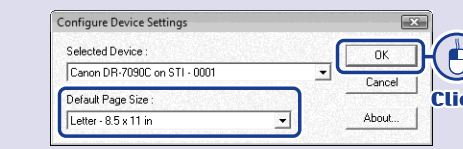
The [Select Scanner] dialog box appears.

3. Select [CANON DR-7090C], and click [Settings].



The [Configure Device Settings] dialog box appears.

4. Set the default page size.



5. Click [OK] to finish scanner selection.

The setup is now complete

- This completes the setup of the DR-7090C. Before you start using the scanner, make sure to thoroughly read the *Reference Guide* or the *User Manual*.
- For details on how to use CapturePerfect 3.0, refer to *CapturePerfect 3.0 Operation Guide* located in the Windows program menu.